

veneer installation options

Suggested rear fixing products for use with **expression** series & **easyvener** panels

Please note the products highlighted below are suggestions only, for consideration. Easycraft do not supply any installation accessories with panels.

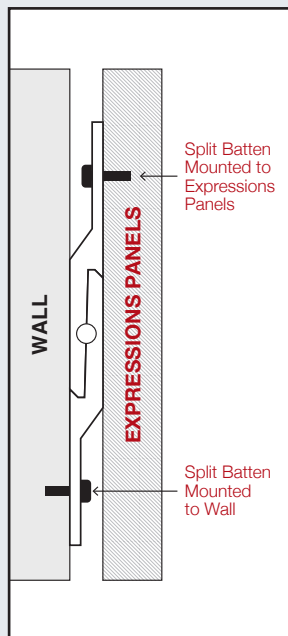
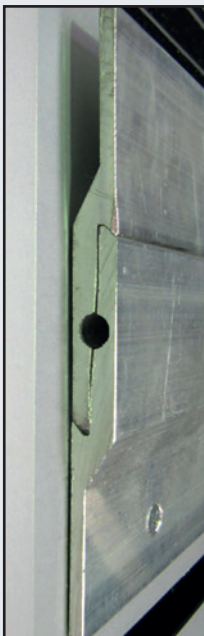
Striplox

www.joinlox.com/wp-content/uploads/2017/03/STRIPLOX-Brochure-March-SINGLES-V-10-Final-Low-Res-16-03-17.pdf



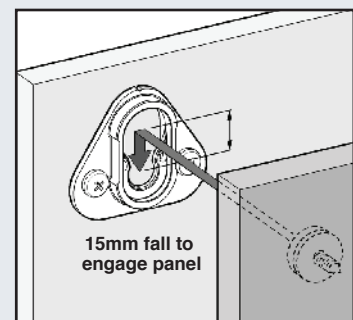
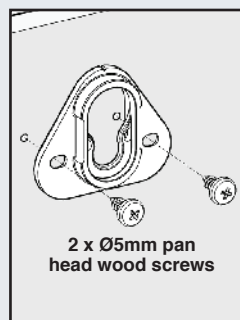
Split Batten

www.criterionindustries.com.au/products/aluminium-skirting-geometrics/geometrics/split-batten/split-batton.html



Button Fix

www.lincolnsentry.com.au/button-fix-hidden-fixing-for-wall-panels



Disclaimer:

Product manufactured and supplied by Easycraft Australia Pty Ltd does not include any fixing or installation accessories. The information provided (above) are systems that are available by other manufacturers to use as a blind/secret fixing, for wall and ceiling panel applications. Easycraft offer no Warranty on any installation product used and all care should be taken when hanging boards to ensure framing and installation systems are capable and suitable for the total weight of boards being installed.